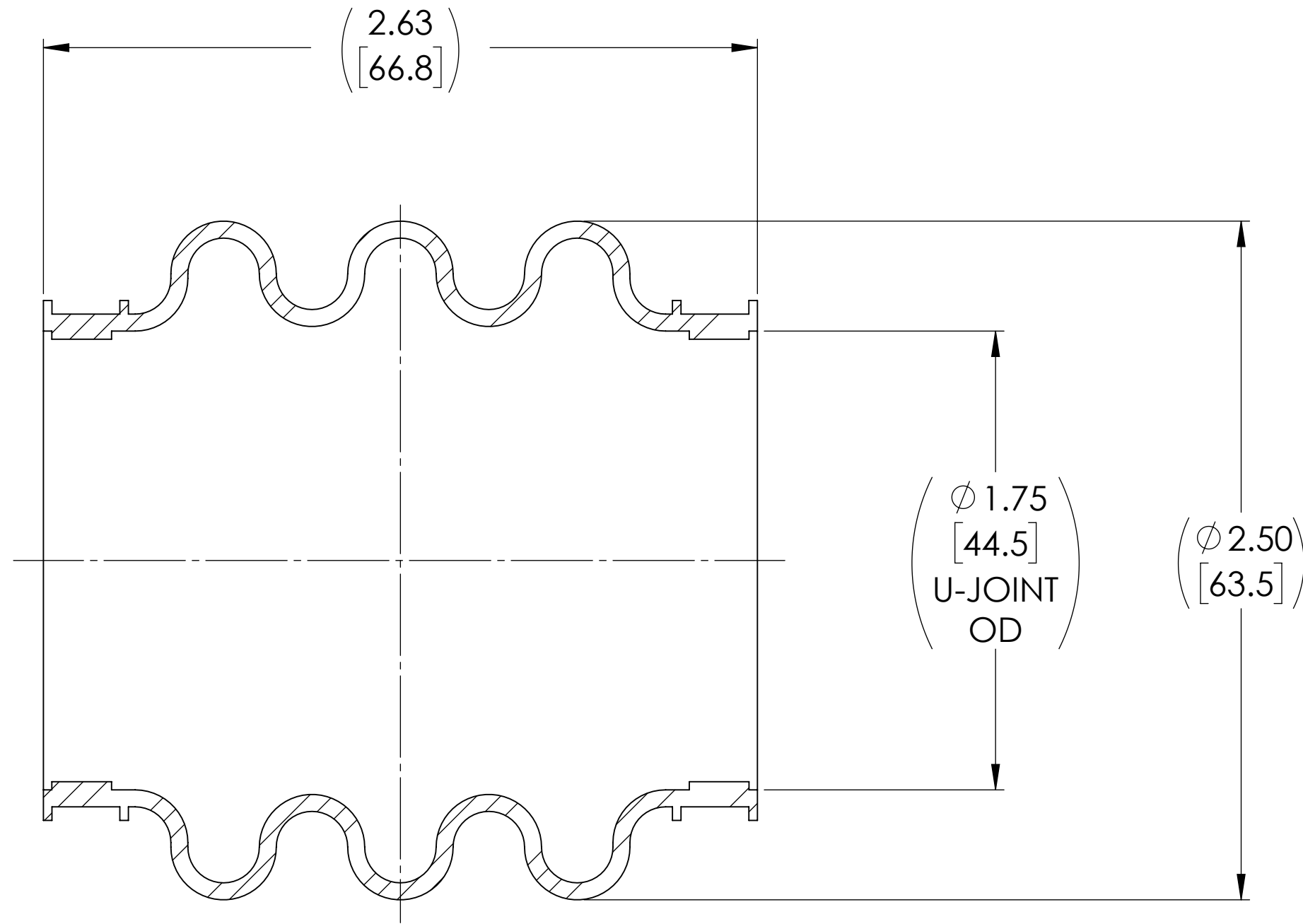
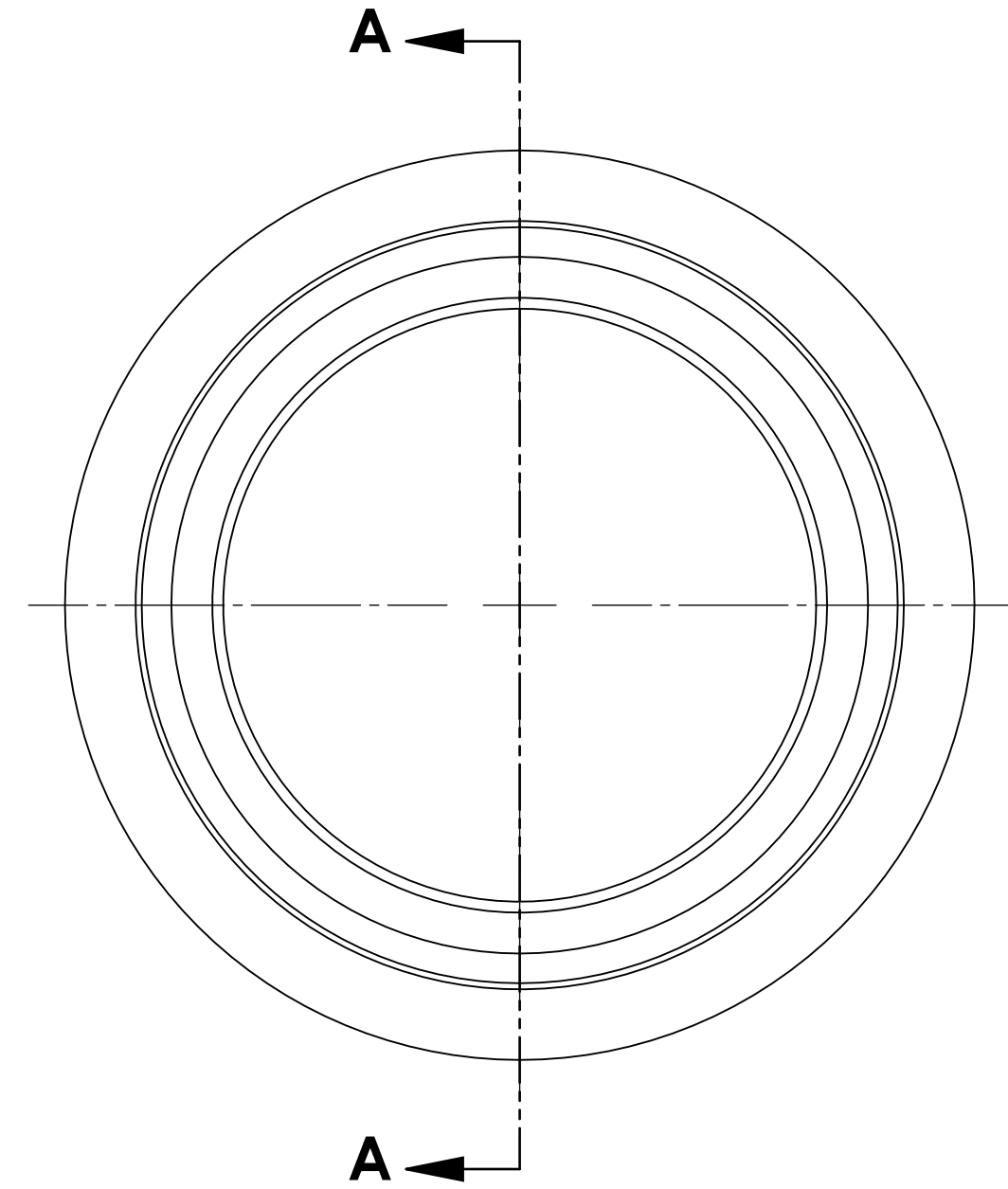


# APPROVED

REVISIONS				
ZONE	REV.	DESCRIPTION	DATE	APPROVED
	A	INITIAL RELEASE	2/17/2021	JP



**SECTION A-A**



NOTE(s), UNLESS OTHERWISE SPECIFIED.

- (1) MATERIAL: NITRILE
  - a. COLOR: BLACK
  - b. DUROMETER: 50 ± 5 (SHORE A SCALE).

DO NOT SCALE DRAWING

UNLESS OTHERWISE SPECIFIED CHAMFER ALL HOLES BREAK ALL SHARP CORNERS DE-BURR ALL FEATURES  TURNED SURFACES: $\sqrt{63}$ MILLED SURFACES: $\sqrt{125}$  <b>PROPRIETARY AND CONFIDENTIAL</b> THE INFORMATION CONTAINED IN THIS DRAWING IS THE SOLE PROPERTY OF BELDEN UNIVERSAL. ANY REPRODUCTION IN PART OR AS A WHOLE WITHOUT THE WRITTEN PERMISSION OF BELDEN UNIVERSAL IS PROHIBITED.	STANDARD TOLERANCES, UNLESS OTHERWISE SPECIFIED  DIMENSIONS ARE IN INCHES [mm]	MATERIAL SEE NOTES  HEAT TREAT	INITIALS DATE	<b>Belden Universal</b> www.beldenuniversal.com  TITLE: <b>BOOT, NITRILE</b>	
	ANGULAR MACHINED: ±1.0° FRACTIONAL: ±.015" TWO PLACE DECIMAL: ±.010" THREE PLACE DECIMAL: ±.005" FOUR PLACE DECIMAL: ±.0005" CONCENTRICITY: .0025" T.I.R.	ALL HOLES TO BE LOCATED ON CENTERLINE (☺) WITHIN .005" T.I.R.  INTERPRET GEOMETRIC TOLERANCES I.A.W. ASME Y14.5	FINISH SEE NOTES		DRAWN: JP 17FEB21 CHECKED: RNK 03/08/2021 ENG APPR.: RNK 03/12/2021 MFG APPR.: QC APPR.:
	COMMENTS:				SIZE: <b>A</b> DWG. NO.: 1750 BOOT SCALE: 2:1
	THE INFORMATION CONTAINED IN THIS DRAWING IS THE SOLE PROPERTY OF BELDEN UNIVERSAL. ANY REPRODUCTION IN PART OR AS A WHOLE WITHOUT THE WRITTEN PERMISSION OF BELDEN UNIVERSAL IS PROHIBITED.				WT (Lbs): 0.059 SHEET 1 OF 1