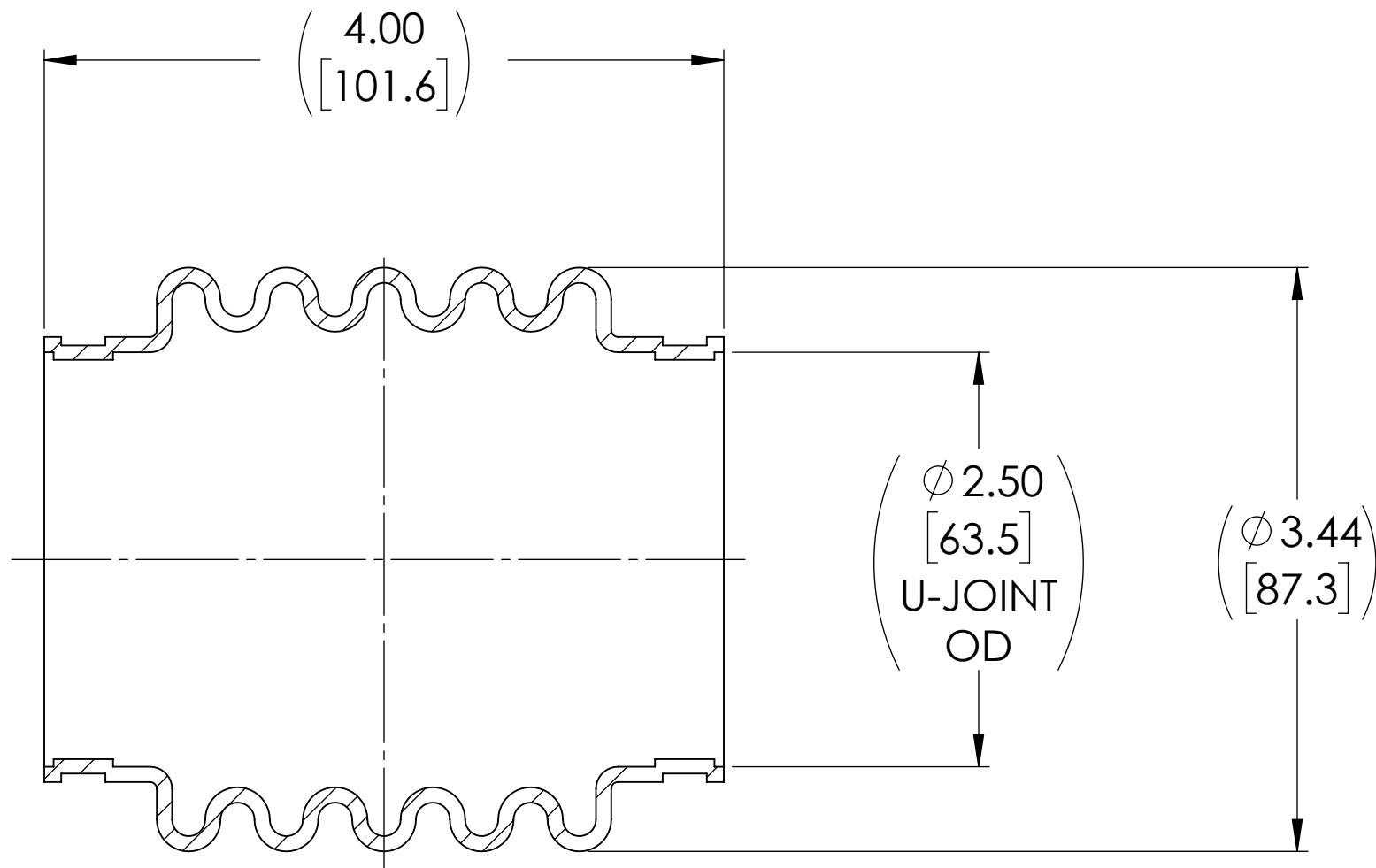
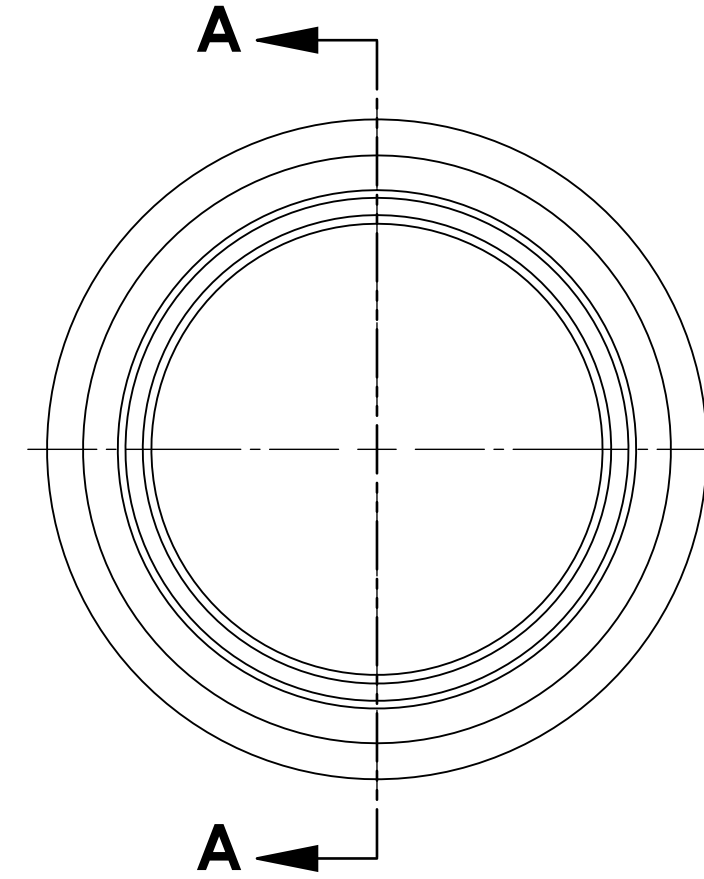


APPROVED

REVISIONS				
ZONE	REV.	DESCRIPTION	DATE	APPROVED
	A	INITIAL RELEASE	2/17/2021	JP



SECTION A-A



NOTE(s), UNLESS OTHERWISE SPECIFIED.

(1) MATERIAL: SILICONE

a. COLOR: RED OXIDE

b. DUROMETER: 50 ± 5 (SHORE A SCALE).

DO NOT SCALE DRAWING

UNLESS OTHERWISE SPECIFIED CHAMFER ALL HOLES BREAK ALL SHARP CORNERS DE-BURR ALL FEATURES TURNED SURFACES: $\sqrt{63}$ MILLED SURFACES: $\sqrt{125}$ PROPRIETARY AND CONFIDENTIAL THE INFORMATION CONTAINED IN THIS DRAWING IS THE SOLE PROPERTY OF BELDEN UNIVERSAL. ANY REPRODUCTION IN PART OR AS A WHOLE WITHOUT THE WRITTEN PERMISSION OF BELDEN UNIVERSAL IS PROHIBITED.	STANDARD TOLERANCES, UNLESS OTHERWISE SPECIFIED DIMENSIONS ARE IN INCHES [mm] ANGULAR MACHINED: ±1.0° FRACTIONAL: ±.015" TWO PLACE DECIMAL: ±.010" THREE PLACE DECIMAL: ±.005" FOUR PLACE DECIMAL: ±.0005" CONCENTRICITY: .0025" T.I.R.	MATERIAL SEE NOTES HEAT TREAT FINISH SEE NOTES	<table border="1" style="width: 100%; border-collapse: collapse;"> <tr> <th>INITIALS</th> <th>DATE</th> </tr> <tr> <td>JP</td> <td>17FEB21</td> </tr> <tr> <td>RNK</td> <td>03/08/2021</td> </tr> <tr> <td>RNK</td> <td>03/12/2021</td> </tr> <tr> <td></td> <td></td> </tr> <tr> <td></td> <td></td> </tr> </table>	INITIALS	DATE	JP	17FEB21	RNK	03/08/2021	RNK	03/12/2021					<table border="1" style="width: 100%; border-collapse: collapse;"> <tr> <td colspan="2" style="text-align: center;">Belden Universal</td> </tr> <tr> <td colspan="2" style="text-align: center;">www.beldenuniversal.com</td> </tr> <tr> <td colspan="2" style="text-align: center;">TITLE: BOOT</td> </tr> </table>	Belden Universal		www.beldenuniversal.com		TITLE: BOOT	
	INITIALS	DATE																				
	JP	17FEB21																				
	RNK	03/08/2021																				
RNK	03/12/2021																					
Belden Universal																						
www.beldenuniversal.com																						
TITLE: BOOT																						
ALL HOLES TO BE LOCATED ON CENTERLINE (☉) WITHIN .005" T.I.R. INTERPRET GEOMETRIC TOLERANCES I.A.W. ASME Y14.5		COMMENTS:																				
SIZE A		DWG. NO. 2500 BOOT-SL																				
SCALE: 1:1		WT (Lbs): 0.179																				
SHEET 1 OF 1		REV A																				