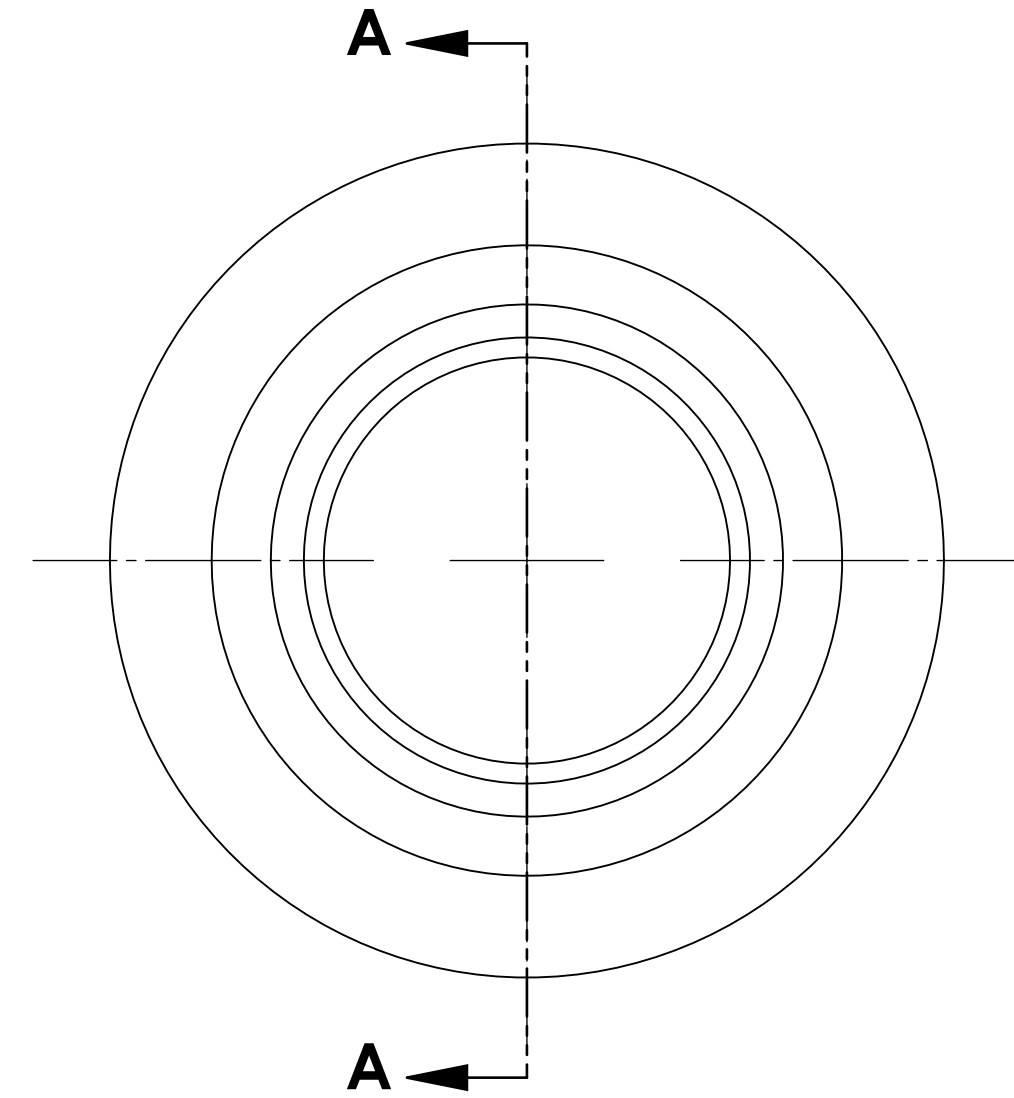
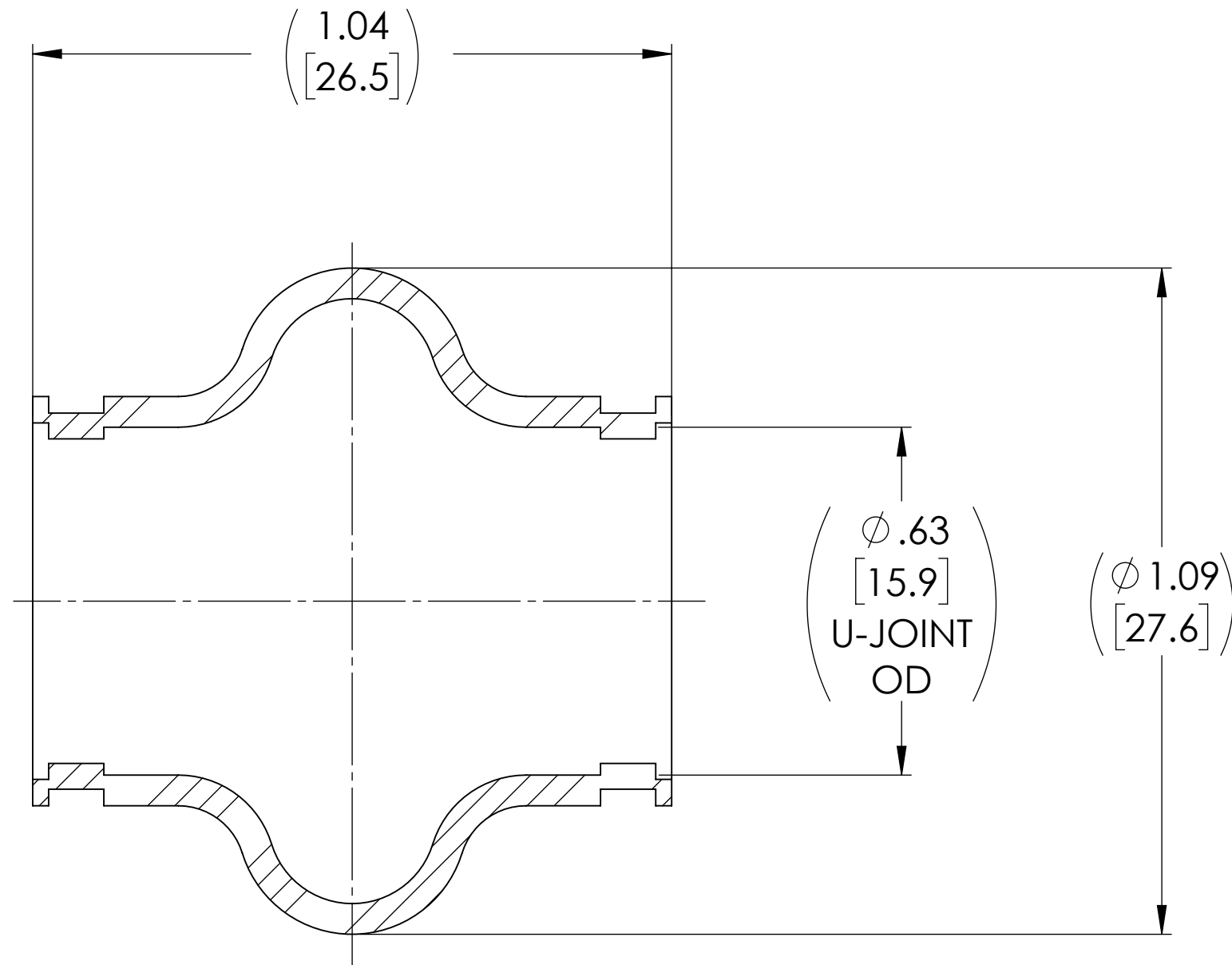


APPROVED

REVISIONS				
ZONE	REV.	DESCRIPTION	DATE	APPROVED
	A	INITIAL RELEASE	2/16/2021	JP



NOTE(s), UNLESS OTHERWISE SPECIFIED.

- (1) MATERIAL: NITRILE
 - a. COLOR: BLACK
 - b. DUROMETER: 50 ± 5 (SHORE A SCALE).

DO NOT SCALE DRAWING

UNLESS OTHERWISE SPECIFIED CHAMFER ALL HOLES BREAK ALL SHARP CORNERS DE-BURR ALL FEATURES TURNED SURFACES: \checkmark_{63} MILLED SURFACES: \checkmark_{125} PROPRIETARY AND CONFIDENTIAL THE INFORMATION CONTAINED IN THIS DRAWING IS THE SOLE PROPERTY OF BELDEN UNIVERSAL. ANY REPRODUCTION IN PART OR AS A WHOLE WITHOUT THE WRITTEN PERMISSION OF BELDEN UNIVERSAL IS PROHIBITED.	STANDARD TOLERANCES, UNLESS OTHERWISE SPECIFIED DIMENSIONS ARE IN INCHES [mm]	MATERIAL SEE NOTE(s) HEAT TREAT N/A FINISH N/A	INITIALS DATE DRAWN JP 16FEB21 CHECKED RNK 03/08/2021 ENG APPR. RNK 03/12/2021 MFG APPR. QC APPR.	Belden Universal www.beldenuniversal.com TITLE: BOOT, NITRILE	
	ANGULAR MACHINED: ±1.0° FRACTIONAL: ±.015" TWO PLACE DECIMAL: ±.010" THREE PLACE DECIMAL: ±.005" FOUR PLACE DECIMAL: ±.0005" CONCENTRICITY: .0025" T.I.R.	COMMENTS:			
	ALL HOLES TO BE LOCATED ON CENTERLINE (☉) WITHIN .005" T.I.R. INTERPRET GEOMETRIC TOLERANCES I.A.W. ASME Y14.5			SIZE A	DWG. NO. 625 BOOT
	SCALE: 4:1 WT (Lbs): 0.005 SHEET 1 OF 1			REV A	