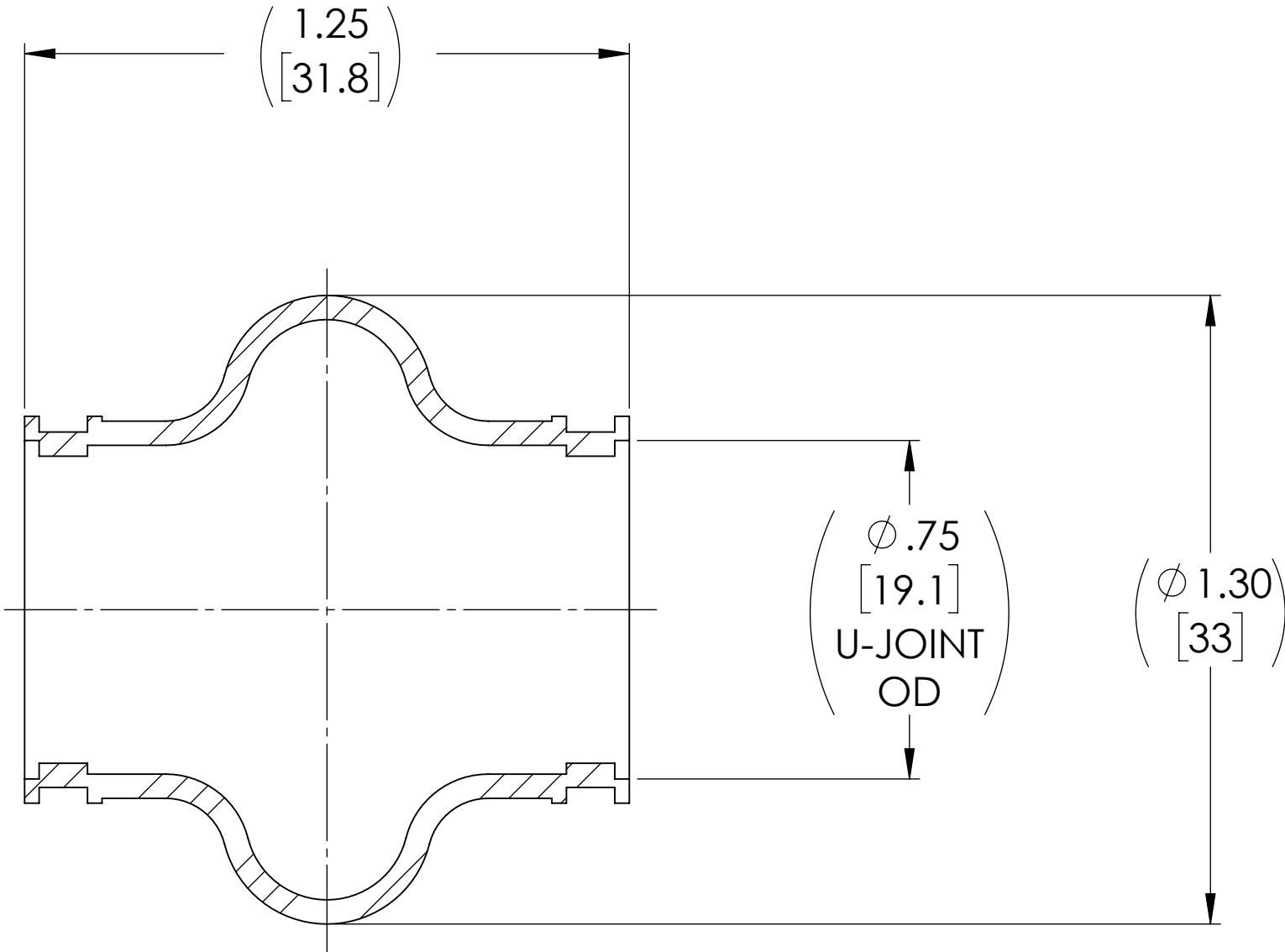
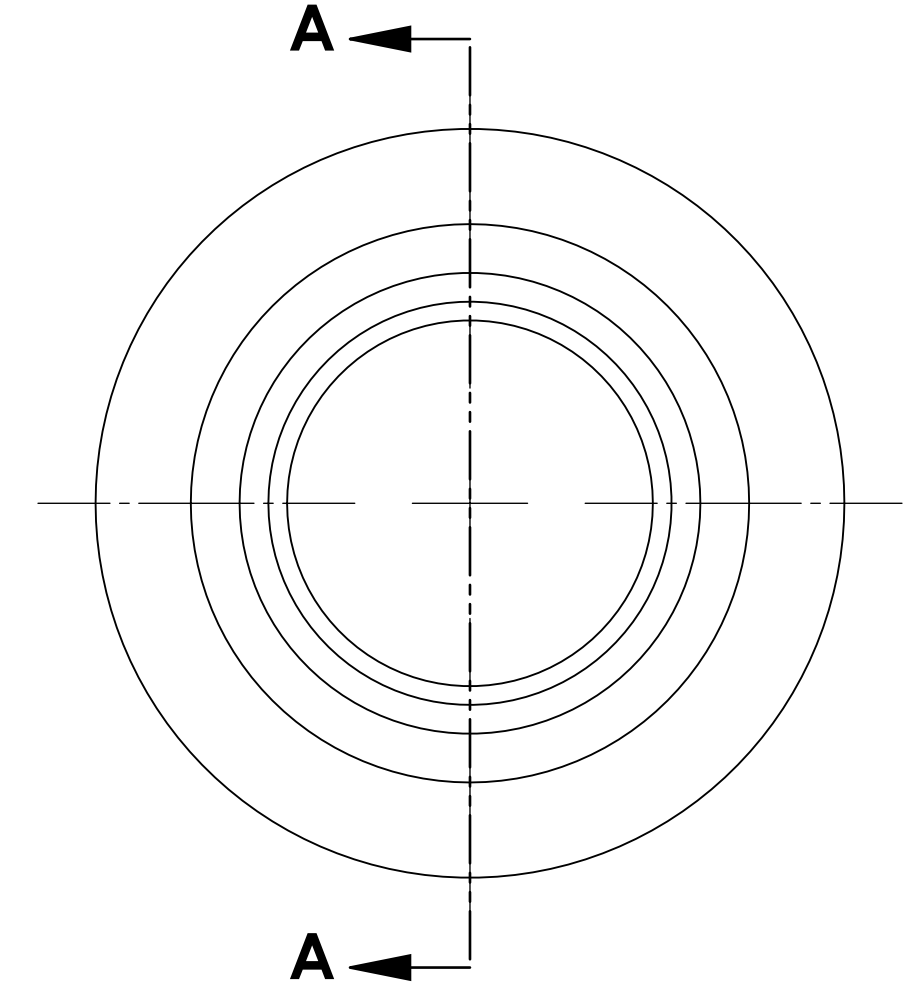


# APPROVED

REVISIONS				
ZONE	REV.	DESCRIPTION	DATE	APPROVED
	A	INITIAL RELEASE	2/16/2021	JP



**SECTION A-A**



NOTE(s), UNLESS OTHERWISE SPECIFIED.

- (1) MATERIAL: SILICONE
  - a. COLOR: RED OXIDE
  - b. DUROMETER: 50 ± 5 (SHORE A SCALE).

DO NOT SCALE DRAWING

UNLESS OTHERWISE SPECIFIED CHAMFER ALL HOLES BREAK ALL SHARP CORNERS DE-BURR ALL FEATURES  TURNED SURFACES: $\sqrt{63}$ MILLED SURFACES: $\sqrt{125}$  <b>PROPRIETARY AND CONFIDENTIAL</b> THE INFORMATION CONTAINED IN THIS DRAWING IS THE SOLE PROPERTY OF BELDEN UNIVERSAL. ANY REPRODUCTION IN PART OR AS A WHOLE WITHOUT THE WRITTEN PERMISSION OF BELDEN UNIVERSAL IS PROHIBITED.	STANDARD TOLERANCES, UNLESS OTHERWISE SPECIFIED  DIMENSIONS ARE IN INCHES [mm]	MATERIAL SEE NOTES  HEAT TREAT N/A  FINISH SEE NOTES	INITIALS DATE DRAWN JP 16FEB21 CHECKED RNK 03/08/2021 ENG APPR. RNK 03/12/2021 MFG APPR. QC APPR.	TITLE: <b>Belden Universal</b> <a href="http://www.beldenuniversal.com">www.beldenuniversal.com</a> <b>BOOT, SILICONE</b>	
	ANGULAR MACHINED: ±1.0° FRACTIONAL: ±.015" TWO PLACE DECIMAL: ±.010" THREE PLACE DECIMAL: ±.005" FOUR PLACE DECIMAL: ±.0005" CONCENTRICITY: .0025" T.I.R.	ALL HOLES TO BE LOCATED ON CENTERLINE (⊕) WITHIN .005" T.I.R.  INTERPRET GEOMETRIC TOLERANCES I.A.W. ASME Y14.5	COMMENTS:	SIZE <b>A</b>	DWG. NO. <b>750 BOOT-SL</b>
				REV <b>A</b>	SCALE: 3:1   WT (Lbs): 0.008   SHEET 1 OF 1
				SHEET 1 OF 1	SHEET 1 OF 1