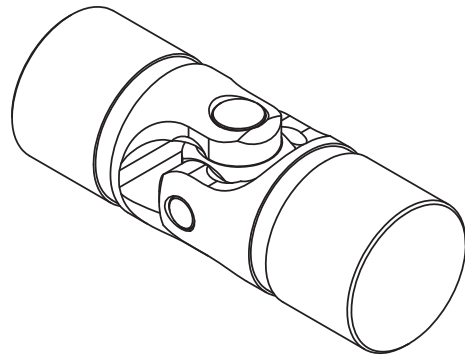
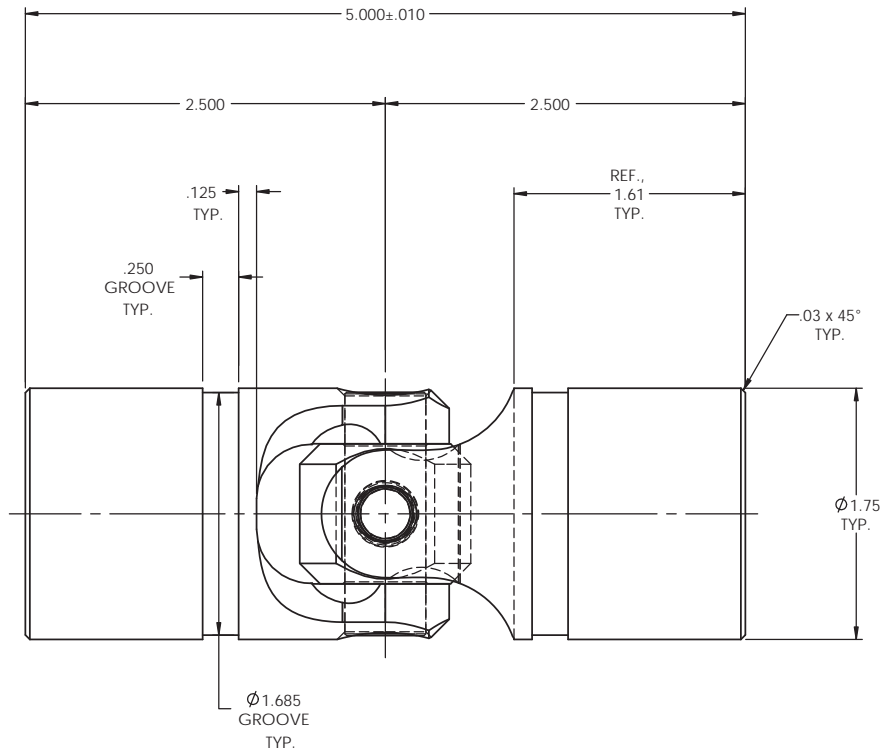


# INFORMATION IN THIS DRAWING PROVIDED FOR REFERENCE ONLY



SCALE 1 : 1



REVISIONS				
ZONE	REV.	DESCRIPTION	DATE	APPROVED

NOTE(s), UNLESS OTHERWISE SPECIFIED.

- (1) UNIVERSAL JOINT IS MARKED w/ "BELDEN" LOGO, PART NUMBER / DRAWING NUMBER, REVISION LEVEL (IF ANY), DATE OF MANUFACTURE (MO/YR), AND BELDEN JOB NUMBER.
- (2) UNIVERSAL JOINT IS LUBRICATED w/ LUBRIPLATE 1200-2, NLGI GRADE 2, AW/EP, LITHIUM GREASE OR EQUIVALENT.
- (3) UNIVERSAL JOINT IS CAPABLE OF OPERATING AT ANY ANGLE UP TO AND INCLUDING 45°.
- (4) UNIVERSAL JOINT HAS STANDARD GROOVES TO ACCEPT INSTALLATION OF PROTECTIVE COVER (BOOT). BOOT AVAILABLE SEPARATELY. REFER TO BELDEN CATALOG, WEBSITE, OR CONTACT BELDEN SALES.
- (5) REFER TO BELDEN CATALOG, WEBSITE, OR CONTACT BELDEN SALES FOR TORQUE CAPACITY.
- (6) THIS DRAWING REPRESENTS A STANDARD BELDEN ITEM. CUSTOM UNIVERSAL JOINTS ARE AVAILABLE UPON REQUEST. PLEASE CONTACT BELDEN SALES.

**BELDEN PART NUMBER: UJ-HD1750x00**

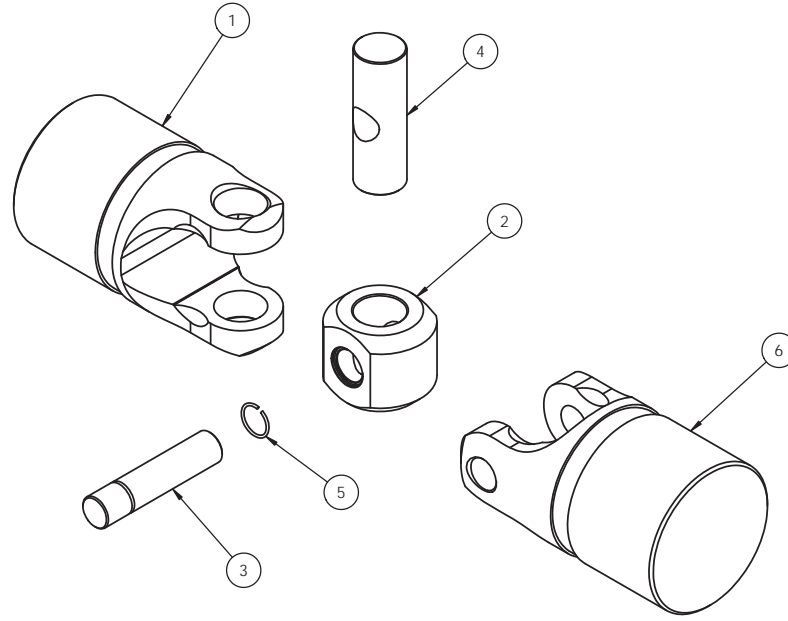
DO NOT SCALE DRAWING

UNLESS OTHERWISE SPECIFIED CHAMFER ALL HOLES BREAK ALL SHARP CORNERS DE-BURR ALL FEATURES  TURNED SURFACES: $\sqrt{6.3}$ MILLED SURFACES: $\sqrt{125}$  PROPRIETARY AND CONFIDENTIAL THE INFORMATION CONTAINED IN THIS DRAWING IS THE SOLE PROPERTY OF BELDEN INCORPORATED. ANY REPRODUCTION IN PART OR AS A WHOLE WITHOUT THE WRITTEN PERMISSION OF BELDEN INCORPORATED IS PROHIBITED.	STANDARD TOLERANCES, UNLESS OTHERWISE SPECIFIED  DIMENSIONS ARE IN INCHES [mm]	MATERIAL: ALLOY STEEL	NAME: JP DATE: 30MAR12	Belden Incorporated <a href="http://www.beldenuniversal.com">www.beldenuniversal.com</a>  TITLE: <b>ASSEMBLY, UNIVERSAL JOINT</b>	
	ANGULAR MACHINED: $\pm 1.0^\circ$ FRACTIONAL: $\pm 0.015$ TWO PLACE DECIMAL: $\pm 0.010$ THREE PLACE DECIMAL: $\pm 0.005$ FOUR PLACE DECIMAL: $\pm 0.0005$ CONCENTRICITY: 0.0025 T.I.R.	HEAT TREAT: SEE DETAIL DRAWINGS	CHECKED: RNK 27APR12 ENG APPR: RNK 27APR12 MFG APPR: D/A:		SIZE: C DWG. NO.: UJ-HD1750x00 SCALE: 1:1 WT (Lbs): 2.864
	ALL HOLES TO BE LOCATED ON CENTERLINE (C) WITHIN .005" T.I.R. INTERPRET GEOMETRIC TOLERANCES I.A.W. ANSI Y14.5M-1992	FINISH: NONE	COMMENTS:		REV:
	SHEET 1 OF 2				

BOM Table			
ITEM NO.	PART NUMBER	DESCRIPTION	QTY.
1	Y14S-LH	YOKE, LARGE HOLE	1
2	1750-2A	BLOCK	1
3	1750-3A	SMALL PIN	1
4	1750-5A	LARGE PIN	1
5	1750-6A	RETAINING RING	1
6	Y14S-SH	YOKE, SMALL HOLE	1

REVISIONS				
ZONE	REV.	DESCRIPTION	DATE	APPROVED
-	-	See Sheet1	-	-

INFORMATION IN THIS DRAWING  
PROVIDED FOR REFERENCE ONLY



DO NOT SCALE DRAWING

UNLESS OTHERWISE SPECIFIED CHAMFER ALL HOLES BREAK ALL SHARP CORNERS DE-BURR ALL FEATURES  TURNED SURFACES: $\sqrt{6.3}$ MILLED SURFACES: $\sqrt{125}$  PROPRIETARY AND CONFIDENTIAL THE INFORMATION CONTAINED IN THIS DRAWING IS THE SOLE PROPERTY OF BELDEN INCORPORATED. ANY REPRODUCTION IN PART OR AS A WHOLE WITHOUT THE WRITTEN PERMISSION OF BELDEN INCORPORATED IS PROHIBITED.	STANDARD TOLERANCES, UNLESS OTHERWISE SPECIFIED  DIMENSIONS ARE IN INCHES (mm) ANGULAR MACHINED: $\pm 1.0^\circ$ FRACTIONAL: $\pm 0.15$ TWO PLACE DECIMAL: $\pm 0.10$ THREE PLACE DECIMAL: $\pm 0.005$ FOUR PLACE DECIMAL: $\pm 0.0005$ CONCENTRICITY: $0.0025$ T.I.R.	MATERIAL: ALLOY STEEL  HEAT TREAT: SEE DETAIL DRAWINGS  FINISH: NONE	<table border="1"> <tr> <th>NAME</th> <th>DATE</th> </tr> <tr> <td>JP</td> <td>30MAR12</td> </tr> <tr> <th>CHECKED</th> <th>DATE</th> </tr> <tr> <td>RNK</td> <td>27APR12</td> </tr> <tr> <th>ENG APPR.</th> <th></th> </tr> <tr> <td>RNK</td> <td></td> </tr> <tr> <th>MFG APPR.</th> <th></th> </tr> <tr> <td></td> <td></td> </tr> <tr> <th>DATE</th> <th></th> </tr> <tr> <td></td> <td></td> </tr> <tr> <th colspan="2">COMMENTS:</th> </tr> <tr> <td></td> <td></td> </tr> </table>	NAME	DATE	JP	30MAR12	CHECKED	DATE	RNK	27APR12	ENG APPR.		RNK		MFG APPR.				DATE				COMMENTS:				Belden Incorporated <a href="http://www.beldenuniversal.com">www.beldenuniversal.com</a>  TITLE: ASSEMBLY, UNIVERSAL JOINT  SIZE: <b>C</b> DWG. NO. UJ-HD1750x00 REV SCALE: 1:1 WT (Lbs): 2.864 SHEET 2 OF 2
	NAME	DATE																										
	JP	30MAR12																										
	CHECKED	DATE																										
RNK	27APR12																											
ENG APPR.																												
RNK																												
MFG APPR.																												
DATE																												
COMMENTS:																												