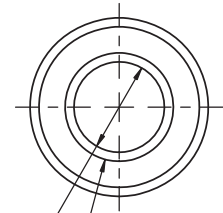
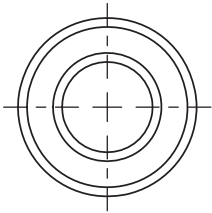
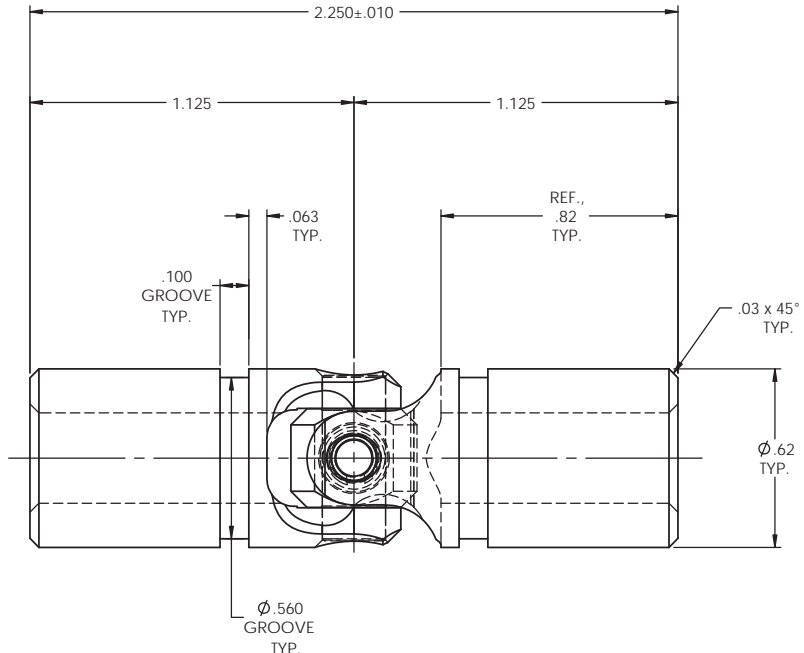


# INFORMATION IN THIS DRAWING PROVIDED FOR REFERENCE ONLY

REVISIONS				
ZONE	REV.	DESCRIPTION	DATE	APPROVED



$\phi .314^{+.000}$   
 $-.001$   
 $\checkmark \phi .38 \times 90 \text{ INCL.}$

TYPICAL BOTH ENDS

NOTE(s), UNLESS OTHERWISE SPECIFIED.

- (1) UNIVERSAL JOINT IS MARKED w/ "BELDEN" LOGO, PART NUMBER / DRAWING NUMBER, REVISION LEVEL (IF ANY), DATE OF MANUFACTURE (MO/YR), AND BELDEN JOB NUMBER.
- (2) UNIVERSAL JOINT IS LUBRICATED w/ LUBRIPLATE 1200-2, NLGI GRADE 2, AW/EP, LITHIUM GREASE OR EQUIVALENT.
- (3) UNIVERSAL JOINT IS CAPABLE OF OPERATING AT ANY ANGLE UP TO AND INCLUDING 45°.
- (4) UNIVERSAL JOINT HAS STANDARD GROOVES TO ACCEPT INSTALLATION OF PROTECTIVE COVER (BOOT). BOOT AVAILABLE SEPARATELY. REFER TO BELDEN CATALOG, WEBSITE, OR CONTACT BELDEN SALES.
- (5) REFER TO BELDEN CATALOG, WEBSITE, OR CONTACT BELDEN SALES FOR TORQUE CAPACITY.
- (6) THIS DRAWING REPRESENTS A STANDARD BELDEN ITEM. CUSTOM UNIVERSAL JOINTS ARE AVAILABLE UPON REQUEST. PLEASE CONTACT BELDEN SALES.

**BELDEN PART NUMBER: UJ-HD625x313**

DO NOT SCALE DRAWING

<small>UNLESS OTHERWISE SPECIFIED CHAMFER ALL HOLES BREAK ALL SHARP CORNERS DE-BURR ALL FEATURES</small>	<small>STANDARD TOLERANCES, UNLESS OTHERWISE SPECIFIED</small>  <small>DIMENSIONS ARE IN INCHES [mm]</small> ANGULAR MACHINED: $\pm 1.0^\circ$ FRACTIONAL: $\pm 0.15$ TWO PLACE DECIMAL: $\pm 0.10$ THREE PLACE DECIMAL: $\pm 0.05$ FOUR PLACE DECIMAL: $\pm 0.005$ CONCENTRICITY: $0.0025$ T.I.R.	MATERIAL	ALLOY STEEL	NAME	JP	DATE	23MAR12	<b>Belden Incorporated</b> <a href="http://www.beldenuniversal.com">www.beldenuniversal.com</a>  TITLE: <b>ASSEMBLY, UNIVERSAL JOINT</b>	
		HEAT TREAT	SEE DETAIL DRAWINGS	CHECKED	RNK	16APR12	SIZE		
		FINISH	NONE	ENG APPR.	RNK	16APR12	DWG. NO.		REV
		COMMENTS		MFG APPR.			UJ-HD625x313		
<small>PROPRIETARY AND CONFIDENTIAL</small> <small>THE INFORMATION CONTAINED IN THIS DRAWING IS THE SOLE PROPERTY OF BELDEN INCORPORATED. ANY REPRODUCTION IN PART OR AS A WHOLE WITHOUT THE WRITTEN PERMISSION OF BELDEN INCORPORATED IS PROHIBITED.</small>	<small>ALL HOLES TO BE LOCATED ON CENTERLINE (C) WITHIN .005" T.I.R.</small> <small>INTERPRET GEOMETRIC TOLERANCES I.A.W. ANSI Y14.5M-1992</small>	<small>DA</small> <small>COMMENTS</small>	<small>SCALE: 3:1</small>   <small>WT (Lbs): 0.131</small>   <small>SHEET 1 OF 2</small>						