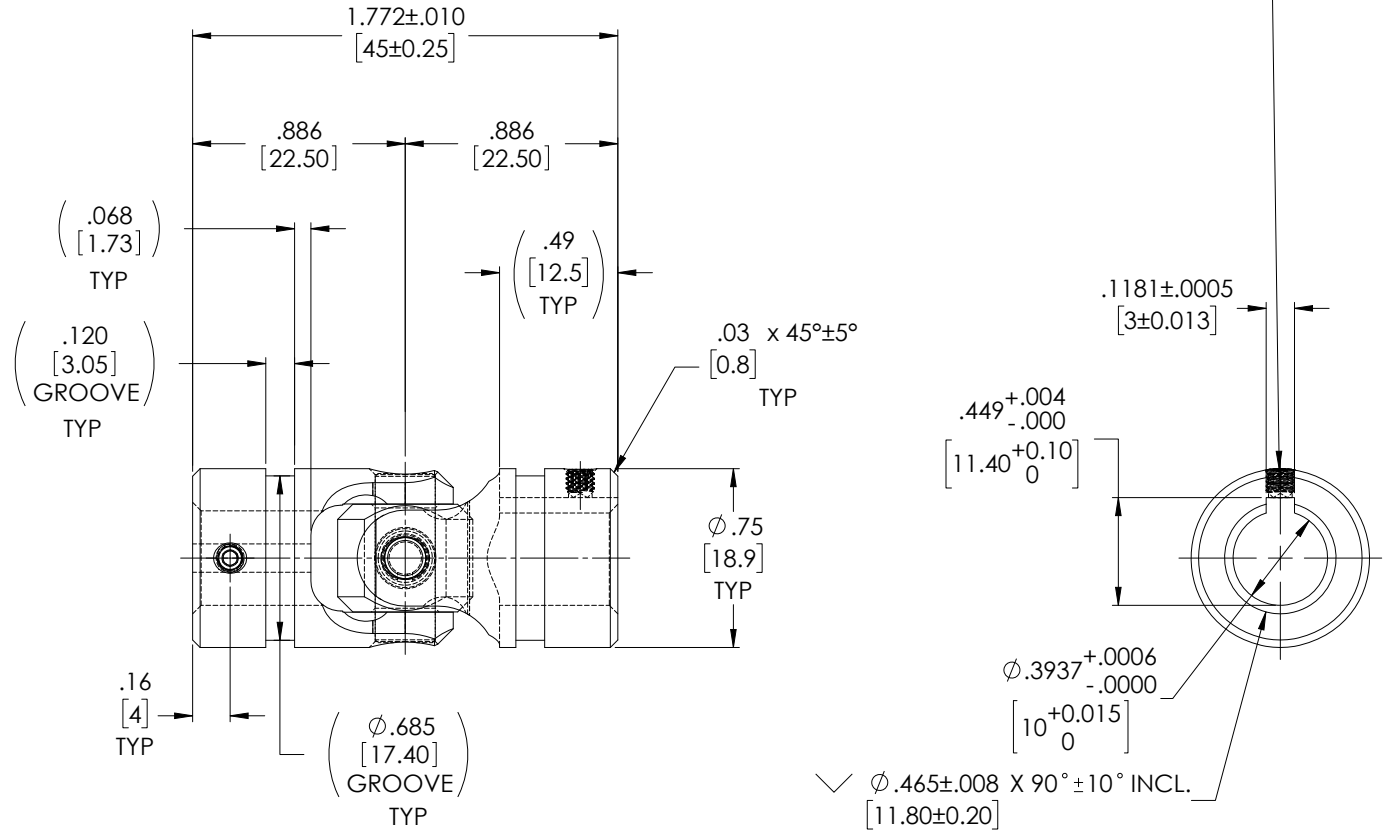
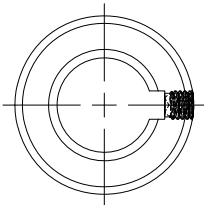
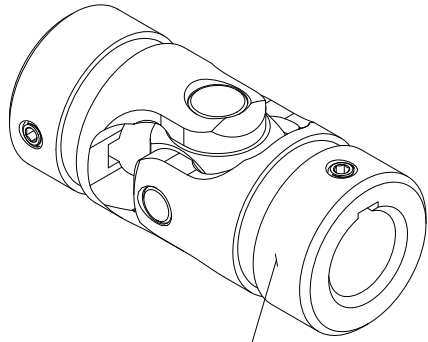


# APPROVED

## FOR REFERENCE ONLY

SOCKET SET SCREW, M3x0.5 x 3mm, CUP POINT, ALLOY STEEL 2X

REVISIONS				
ZONE	REV.	DESCRIPTION	DATE	APPROVED
	A	INITIAL RELEASE	5/30/2019	JP



TYPICAL BOTH ENDS

NOTE(s), UNLESS OTHERWISE SPECIFIED.

1 MARK ASSEMBLY w/ "BELDEN" LOGO, PART NUMBER, REVISION LEVEL (IF ANY), DATE OF MANUFACTURE, & BELDEN JOB No.

(2) LUBRICATE U-JOINT w/ LUBRIPLATE # 1200-2, NLGI GRADE 2, AW/EP, LITHIUM GREASE OR EQUIVALENT.

(3) REF., MAXIMUM OPERATING ANGLE: 45°

DO NOT SCALE DRAWING

<small>UNLESS OTHERWISE SPECIFIED CHAMFER ALL HOLES BREAK ALL SHARP CORNERS DE-BURR ALL FEATURES</small>	<small>STANDARD TOLERANCES, UNLESS OTHERWISE SPECIFIED</small>	<small>MATERIAL ALLOY STEEL</small>	<small>INITIALS</small> <small>DATE</small>		<b>Belden Incorporated</b> <a href="http://www.beldenuniversal.com">www.beldenuniversal.com</a>
			<small>DRAWN</small> <small>JP</small> <small>30MAY19</small>		
			<small>CHECKED</small> <small>RNK</small> <small>06/24/2019</small>		
			<small>ENG APPR.</small> <small>RNK</small> <small>07/22/2019</small>		
<small>TURNED SURFACES: <math>\sqrt{63}</math> MILLED SURFACES: <math>\sqrt{125}</math></small>	<small>DIMENSIONS ARE IN [mm]</small>	<small>HEAT TREAT SEE DETAIL DRAWINGS</small>	<small>TITLE:</small>		<b>ASSEMBLY, UNIVERSAL JOINT</b>
			<small>COMMENTS:</small>		
<small>PROPRIETARY AND CONFIDENTIAL</small>	<small>ALL HOLES TO BE LOCATED ON CENTERLINE (C) WITHIN .005" T.I.R.</small>	<small>FINISH NONE</small>	<small>SIZE</small>	<small>DWG. NO.</small>	<small>REV</small>
<small>THE INFORMATION CONTAINED IN THIS DRAWING IS THE SOLE PROPERTY OF BELDEN UNIVERSAL. ANY REPRODUCTION IN PART OR AS A WHOLE WITHOUT THE WRITTEN PERMISSION OF BELDEN UNIVERSAL IS PROHIBITED.</small>			<small>SCALE: 2.5:1 WT (Lbs): 0.139</small>	<b>A</b>	<b>A</b>
<small>INTERPRET GEOMETRIC TOLERANCES I.A.W. ASME Y14.5</small>			<small>SHEET 1 OF 2</small>		