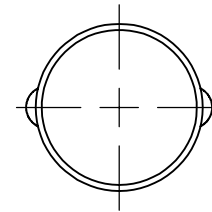
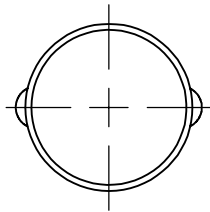
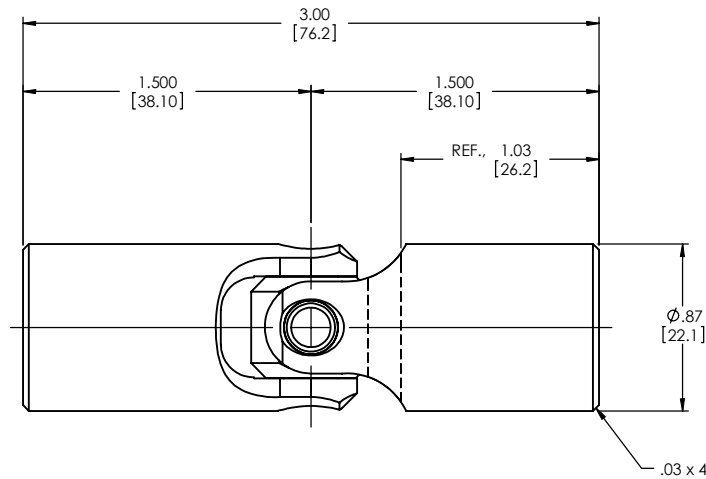
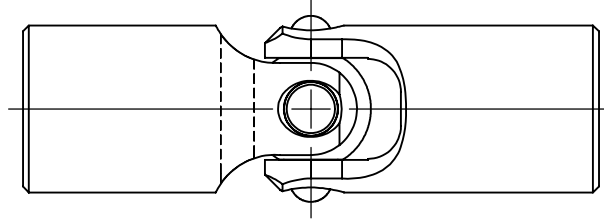
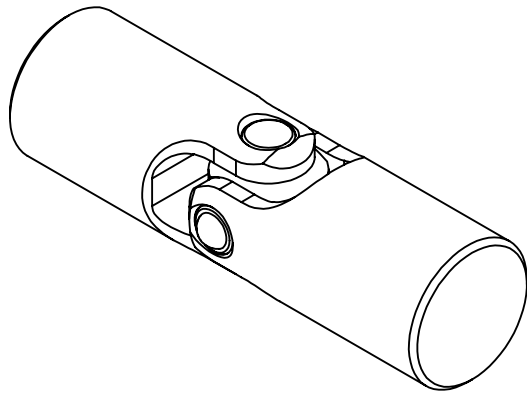


REVISIONS				
ZONE	REV.	DESCRIPTION	DATE	APPROVED

INFORMATION IN THIS DRAWING
PROVIDED FOR REFERENCE ONLY



NOTE(S), UNLESS OTHERWISE SPECIFIED.

(1) MARK ASSEMBLY W/ "BELDEN" LOGO, PART NUMBER, REVISION LEVEL (IF ANY), DATE OF MANUFACTURE, AND BELDEN JOB NUMBER.

BREAK ALL SHARP CORNERS AND DE-BURR UNLESS OTHERWISE SPECIFIED.			UNLESS OTHERWISE SPECIFIED: DIMENSIONS ARE IN INCHES TOLERANCES: FRACTIONAL: ±1/32" ANGULAR MACHINED: ±0.5° TWO PLACE DECIMAL: ±.010 THREE PLACE DECIMAL: ±.005 FOUR PLACE DECIMAL: ±.0005	DRAWN: RNK 10APRO2 CHECKED: RNK 10APRO2 ENG APPR: RNK 10APRO2 MFG APPR:	NAME: RNK 10APRO2 DATE: 10APRO2	BELDEN INCORPORATED www.beldenuniversal.com TITLE: ASSEMBLY, HIGH STRENGTH UNIVERSAL JOINT
	PROPRIETARY AND CONFIDENTIAL THE INFORMATION CONTAINED IN THIS DRAWING IS THE SOLE PROPERTY OF BELDEN INCORPORATED. ANY REPRODUCTION IN PART OR AS A WHOLE WITHOUT THE WRITTEN PERMISSION OF BELDEN INCORPORATED IS PROHIBITED.	MATERIAL: ALLOY STEEL FINISH: NONE	INTERPRET GEOMETRIC TOLERANCES I.A.W. ANSI Y14.5M-1982	G.A. COMMENTS:	SIZE: C DWG. NO.: UJ-HS875 SCALE: 2:1 WT (Lbs): 0.436 SHEET 1 OF 2	
	NEXT ASSY:	USED ON:	APPLICATION:	DO NOT SCALE DRAWING	REV: B	