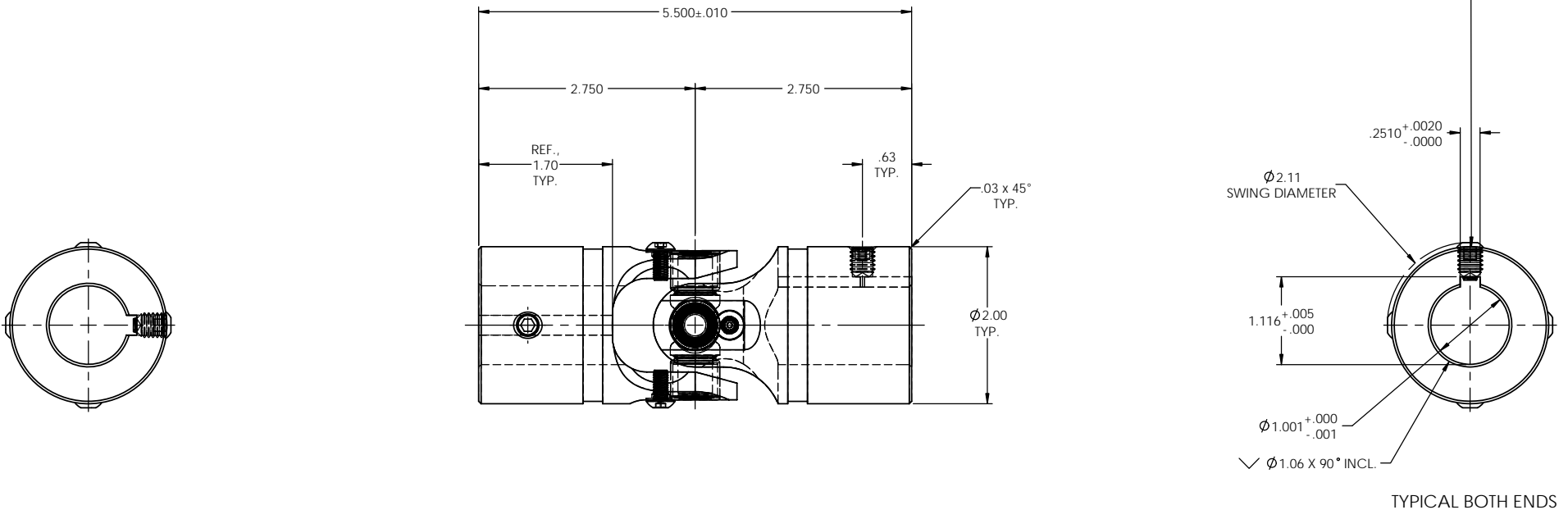


# INFORMATION IN THIS DRAWING PROVIDED FOR REFERENCE ONLY

SOCKET SET SCREW, 5/16-18 x 3/8", CUP POINT, ALLOY STEEL 2X



NOTE(s), UNLESS OTHERWISE SPECIFIED.

- UNIVERSAL JOINT IS MARKED w/ "BELDEN" LOGO, PART NUMBER / DRAWING NUMBER, REVISION LEVEL (IF ANY), DATE OF MANUFACTURE (MO/YR), AND BELDEN JOB NUMBER.
- UNIVERSAL JOINT IS LUBRICATED w/ TRIBOLUBE 12, NLGI GRADE 2, MULTI-PURPOSE SYNTHETIC GREASE.
- UNIVERSAL JOINT IS CAPABLE OF OPERATING AT ANY ANGLE UP TO AND INCLUDING  $45^\circ$ ,  $90^\circ$  FOR THE DOUBLE UNIVERSAL JOINT.
- UNIVERSAL JOINT HAS STANDARD GROOVES TO ACCEPT INSTALLATION OF PROTECTIVE COVERS (BOOTS). BOOTS AVAILABLE SEPARATELY. REFER TO BELDEN CATALOG, WEBSITE, OR CONTACT BELDEN SALES.
- REFER TO BELDEN CATALOG, WEBSITE, OR CONTACT BELDEN SALES FOR TORQUE CAPACITY.
- THIS DRAWING REPRESENTS A STANDARD BELDEN ITEM. CUSTOM UNIVERSAL JOINTS ARE AVAILABLE UPON REQUEST. PLEASE CONTACT BELDEN SALES.

**BELDEN PART NUMBER: UJ-NB2000x1000K**

DO NOT SCALE DRAWING

UNLESS OTHERWISE SPECIFIED CHAMFER ALL HOLES BREAK ALL SHARP CORNERS DE-BURR ALL FEATURES TURNED SURFACES: $\checkmark 63$ MILLED SURFACES: $\checkmark 125$ PROPRIETARY AND CONFIDENTIAL THE INFORMATION CONTAINED IN THIS DRAWING IS THE SOLE PROPERTY OF BELDEN INCORPORATED. ANY REPRODUCTION IN PART OR AS A WHOLE WITHOUT THE WRITTEN PERMISSION OF BELDEN INCORPORATED IS PROHIBITED.	STANDARD TOLERANCES, UNLESS OTHERWISE SPECIFIED DIMENSIONS ARE IN INCHES [mm]	MATERIAL: ALLOY STEEL HEAT TREAT: NONE FINISH: NONE	NAME: JP DATE: 30MAY14	Belden Incorporated <a href="http://www.beldenuniversal.com">www.beldenuniversal.com</a>
	ANGULAR MACHINED: $\pm 1.0^\circ$ FRACTIONAL: $\pm 0.15$ TWO PLACE DECIMAL: $\pm 0.10$ THREE PLACE DECIMAL: $\pm 0.05$ FOUR PLACE DECIMAL: $\pm 0.005$ CONCENTRICITY: $0.003$ T.I.R.	CHECKED: [ ] ENG APPR: [ ] MFG APPR: [ ] D/A: [ ]	TITLE: <b>ASSEMBLY, NEEDLE BEARING UNIVERSAL JOINT</b>	SIZE: <b>C</b> DWG. NO.: UJ-NB2000x1000K SCALE: 1:1 WT (Lbs): 2.94 SHEET 1 OF 2
	ALL HOLES TO BE LOCATED ON CENTERLINE (C) WITHIN .005" T.I.R. INTERPRET GEOMETRIC TOLERANCES I.A.W. ANSI Y14.5M-1992	COMMENTS:	REV:	REV: