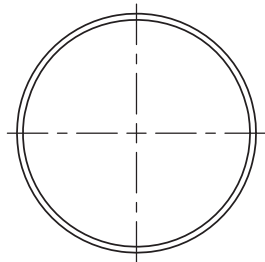
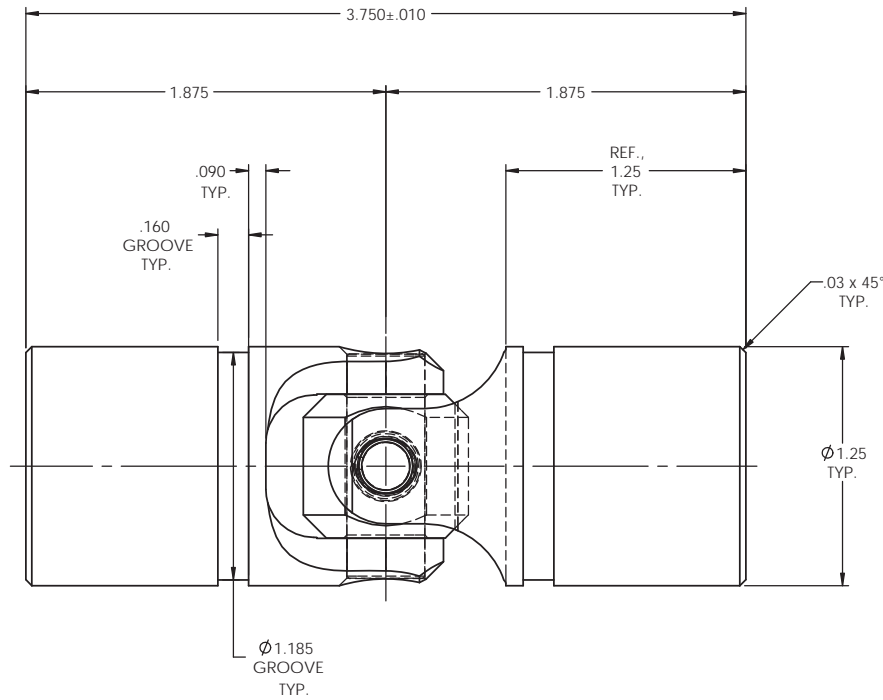
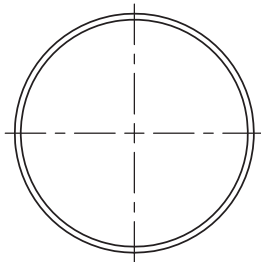


SCALE 1.5 : 1

INFORMATION IN THIS DRAWING
PROVIDED FOR REFERENCE ONLY

REVISIONS				
ZONE	REV.	DESCRIPTION	DATE	APPROVED



NOTE(S), UNLESS OTHERWISE SPECIFIED.

- (1) UNIVERSAL JOINT IS MARKED w/ "BELDEN" LOGO, PART NUMBER / DRAWING NUMBER, REVISION LEVEL (IF ANY), DATE OF MANUFACTURE (MO/YR), AND BELDEN JOB NUMBER.
- (2) UNIVERSAL JOINT IS LUBRICATED w/ LUBRIPLATE 1200-2, NLGI GRADE 2, AW/EP, LITHIUM GREASE OR EQUIVALENT.
- (3) UNIVERSAL JOINT IS CAPABLE OF OPERATING AT ANY ANGLE UP TO AND INCLUDING 45°.
- (4) UNIVERSAL JOINT HAS STANDARD GROOVES TO ACCEPT INSTALLATION OF PROTECTIVE COVER (BOOT). BOOT AVAILABLE SEPARATELY. REFER TO BELDEN CATALOG, WEBSITE, OR CONTACT BELDEN SALES.
- (5) REFER TO BELDEN CATALOG, WEBSITE, OR CONTACT BELDEN SALES FOR TORQUE CAPACITY.
- (6) THIS DRAWING REPRESENTS A STANDARD BELDEN ITEM. CUSTOM UNIVERSAL JOINTS ARE AVAILABLE UPON REQUEST. PLEASE CONTACT BELDEN SALES.

BELDEN PART NUMBER: UJ-SS1250x00

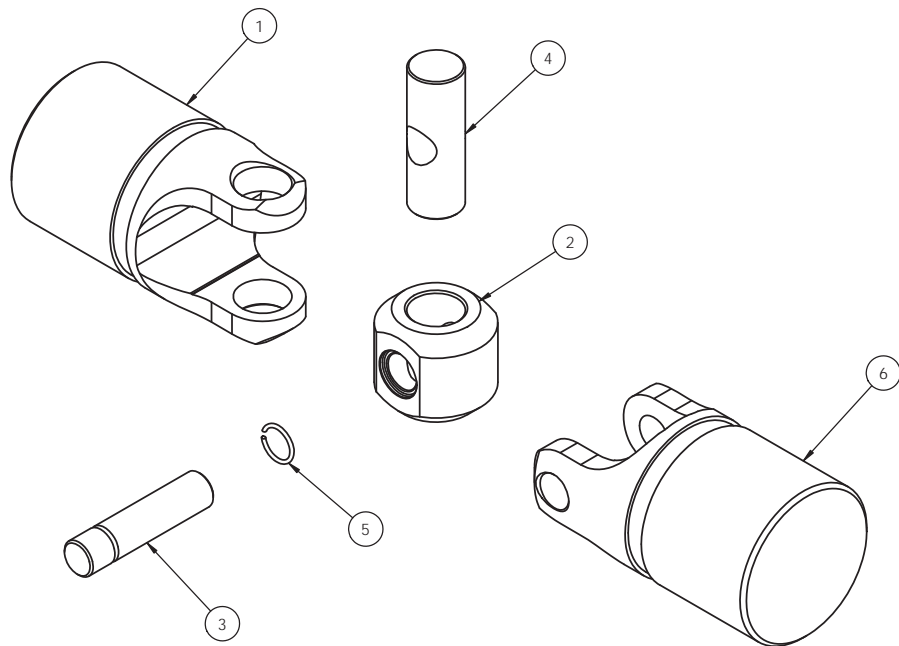
DO NOT SCALE DRAWING

UNLESS OTHERWISE SPECIFIED CHAMFER ALL HOLES BREAK ALL SHARP CORNERS DE-BURR ALL FEATURES TURNED SURFACES: $\sqrt{6.3}$ MILLED SURFACES: $\sqrt{125}$ PROPRIETARY AND CONFIDENTIAL THE INFORMATION CONTAINED IN THIS DRAWING IS THE SOLE PROPERTY OF BELDEN INCORPORATED. ANY REPRODUCTION IN PART OR AS A WHOLE WITHOUT THE WRITTEN PERMISSION OF BELDEN INCORPORATED IS PROHIBITED.	STANDARD TOLERANCES, UNLESS OTHERWISE SPECIFIED DIMENSIONS ARE IN INCHES [mm]	MATERIAL: STAINLESS STEEL HEAT TREAT: SEE DETAIL DRAWINGS FINISH: NONE	<table border="1"> <tr> <th>NAME</th> <th>DATE</th> </tr> <tr> <td>RNK</td> <td>29 JUL 10</td> </tr> <tr> <td>RNK</td> <td>29 JUL 10</td> </tr> <tr> <td>RNK</td> <td>29 JUL 10</td> </tr> <tr> <td> </td> <td> </td> </tr> </table>	NAME	DATE	RNK	29 JUL 10	RNK	29 JUL 10	RNK	29 JUL 10			Belden Incorporated www.beldenuniversal.com TITLE: ASSEMBLY, UNIVERSAL JOINT
	NAME	DATE												
	RNK	29 JUL 10												
	RNK	29 JUL 10												
RNK	29 JUL 10													
ANGULAR MACHINED: ±1.0° FRACTIONAL: ±.015" TWO PLACE DECIMAL: ±.010" THREE PLACE DECIMAL: ±.005" FOUR PLACE DECIMAL: ±.0005" CONCENTRICITY: .0025" T.I.R.	ALL HOLES TO BE LOCATED ON CENTERLINE (C) WITHIN .005" T.I.R. INTERPRET GEOMETRIC TOLERANCES I.A.W. ANSI Y14.5M-1992	COMMENTS:	SIZE: C DWG. NO.: UJ-SS1250x00 SCALE: 2:1 WT (Lbs): 1.128 SHEET 1 OF 2	REV:										

BOM Table			
ITEM NO.	PART NUMBER	DESCRIPTION	QTY.
1	SSY1250LHx00	YOKE, LARGE HOLE	1
2	SS1250-2A	BLOCK	1
3	SS1250-3A	SMALL PIN	1
4	SS1250-5A	LARGE PIN	1
5	SS1250-6A	RETAINING RING	1
6	SSY1250SHx00	YOKE, SMALL HOLE	1

REVISIONS				
ZONE	REV.	DESCRIPTION	DATE	APPROVED
-	-	See Sheet1	-	-

INFORMATION IN THIS DRAWING
PROVIDED FOR REFERENCE ONLY



DO NOT SCALE DRAWING

UNLESS OTHERWISE SPECIFIED CHAMFER ALL HOLES BREAK ALL SHARP CORNERS DE-BURR ALL FEATURES TURNED SURFACES: $\sqrt{63}$ MILLED SURFACES: $\sqrt{125}$ PROPRIETARY AND CONFIDENTIAL THE INFORMATION CONTAINED IN THIS DRAWING IS THE SOLE PROPERTY OF BELDEN INCORPORATED. ANY REPRODUCTION IN PART OR AS A WHOLE WITHOUT THE WRITTEN PERMISSION OF BELDEN INCORPORATED IS PROHIBITED.	STANDARD TOLERANCES, UNLESS OTHERWISE SPECIFIED DIMENSIONS ARE IN INCHES (mm) ANGULAR MACHINED: $\pm 1.0^\circ$ FRACTIONAL: ± 0.15 TWO PLACE DECIMAL: ± 0.010 THREE PLACE DECIMAL: ± 0.005 FOUR PLACE DECIMAL: ± 0.0005 CONCENTRICITY: 0.0025 T.I.R.	MATERIAL STAINLESS STEEL HEAT TREAT SEE DETAIL DRAWINGS FINISH NONE	NAME RNK	DATE 29 JUL 10	Belden Incorporated www.beldenuniversal.com TITLE: ASSEMBLY, UNIVERSAL JOINT SIZE C	
			DRAWN RNK	CHECKED RNK		DATE 29 JUL 10
			ENG APPR. RNK	MFG APPR.		DATE 29 JUL 10
			COMMENTS			
ALL HOLES TO BE LOCATED ON CENTERLINE (C) WITHIN 0.005" T.I.R. INTERPRET GEOMETRIC TOLERANCES I.A.W. ANSI Y14.5M-1992			DWG. NO. UJ-SS1250x00	REV	SCALE: 1.5:1 WT (Lbs): 1.128 SHEET 2 OF 2	