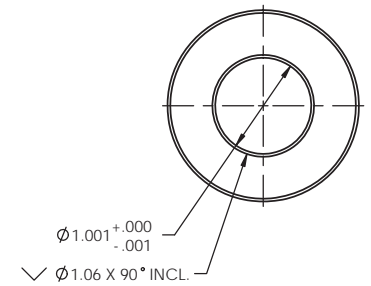
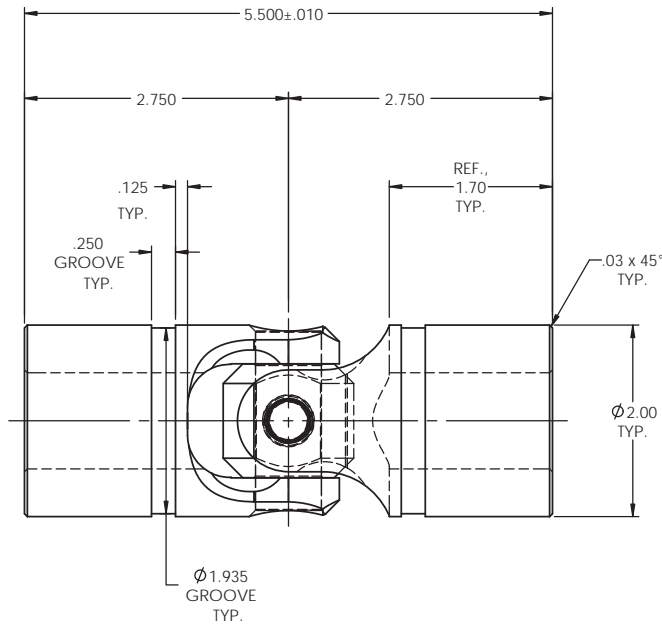
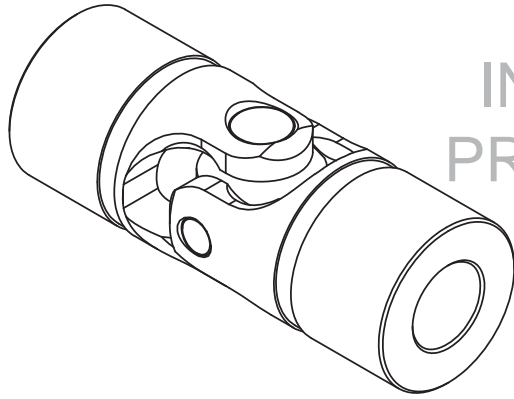


INFORMATION IN THIS DRAWING  
PROVIDED FOR REFERENCE ONLY



TYPICAL BOTH ENDS

NOTE(s), UNLESS OTHERWISE SPECIFIED.

- (1) UNIVERSAL JOINT IS MARKED w/ "BELDEN" LOGO, PART NUMBER / DRAWING NUMBER, REVISION LEVEL (IF ANY), DATE OF MANUFACTURE (MO/YR), AND BELDEN JOB NUMBER.
- (2) UNIVERSAL JOINT IS LUBRICATED w/ LUBRIPLATE 1200-2, NLGI GRADE 2, AW/EP, LITHIUM GREASE OR EQUIVALENT.
- (3) UNIVERSAL JOINT IS CAPABLE OF OPERATING AT ANY ANGLE UP TO AND INCLUDING 45°.
- (4) UNIVERSAL JOINT HAS STANDARD GROOVES TO ACCEPT INSTALLATION OF PROTECTIVE COVER (BOOT). BOOT AVAILABLE SEPARATELY. REFER TO BELDEN CATALOG, WEBSITE, OR CONTACT BELDEN SALES.
- (5) REFER TO BELDEN CATALOG, WEBSITE, OR CONTACT BELDEN SALES FOR TORQUE CAPACITY.
- (6) THIS DRAWING REPRESENTS A STANDARD BELDEN ITEM. CUSTOM UNIVERSAL JOINTS ARE AVAILABLE UPON REQUEST. PLEASE CONTACT BELDEN SALES.

BELDEN PART NUMBER: UJ-SS2000x1000

DO NOT SCALE DRAWING

UNLESS OTHERWISE SPECIFIED CHAMFER ALL HOLES BREAK ALL SHARP CORNERS DE-BURR ALL FEATURES	STANDARD TOLERANCES, UNLESS OTHERWISE SPECIFIED	MATERIAL STAINLESS STEEL	NAME RNK	DATE 09JUN11	Belden Incorporated www.beldenuniversal.com
	DIMENSIONS ARE IN INCHES [mm]	HEAT TREAT SEE DETAIL DRAWINGS	DRAWN RNK	09JUN11	
TURNED SURFACES: $\sqrt{63}$	ANGULAR MACHINED: $\pm 1.0^\circ$	FINISH NONE	ENG APPR. RNK	09JUN11	SIZE C
MILLED SURFACES: $\sqrt{125}$	FRACTIONAL: $\pm 0.15$		COMMENTS:	DWG. NO. UJ-SS2000x1000	
PROPRIETARY AND CONFIDENTIAL	ALL HOLES TO BE LOCATED ON CENTERLINE (C) WITHIN .005" T.I.R.	SCALE: 1:1		WT (Lbs): 3.404	SHEET 1 OF 2
THE INFORMATION CONTAINED IN THIS DRAWING IS THE SOLE PROPERTY OF BELDEN INCORPORATED. ANY REPRODUCTION IN PART OR AS A WHOLE WITHOUT THE WRITTEN PERMISSION OF BELDEN INCORPORATED IS PROHIBITED.	INTERPRET GEOMETRIC TOLERANCES I.A.W. ANSI Y14.5M-1992				