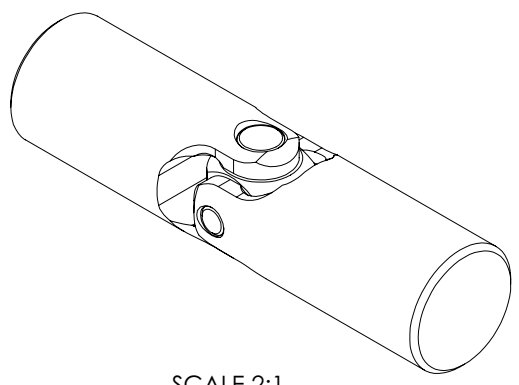
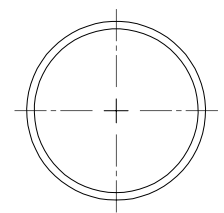
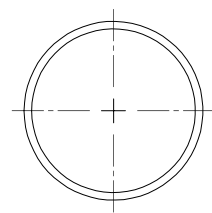
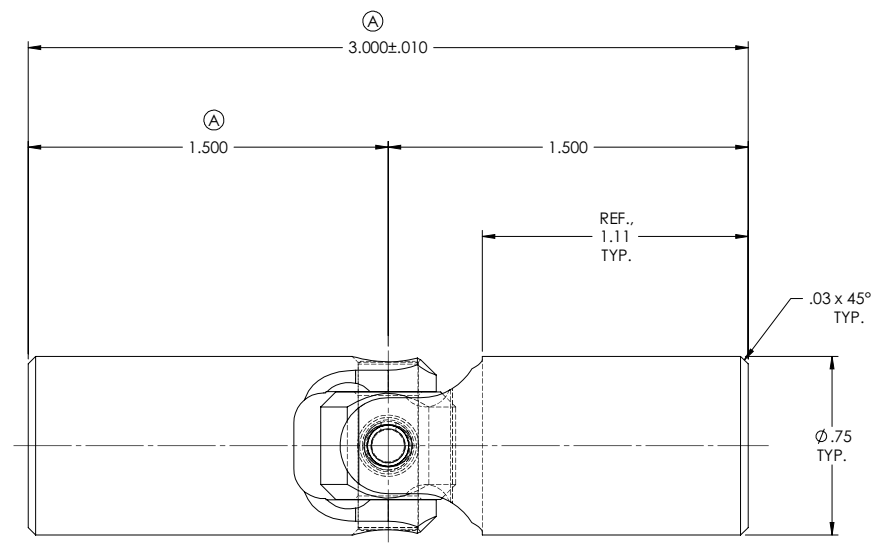


REVISIONS				
ZONE	REV.	DESCRIPTION	DATE	APPROVED

**INFORMATION IN THIS DRAWING  
PROVIDED FOR REFERENCE ONLY**



SCALE 2:1



DO NOT SCALE DRAWING

NOTE(S), UNLESS OTHERWISE SPECIFIED.

- (1) MARK ASSEMBLY w/ "BELDEN" LOGO, PART NUMBER, REVISION LEVEL (IF ANY), DATE OF MANUFACTURE, & BELDEN JOB No.
- (2) REF.. MATERIAL: TYPE 316/316L STAINLESS STEEL

UNLESS OTHERWISE SPECIFIED CHAMFER ALL HOLES BREAK ALL SHARP CORNERS DE-BURR ALL FEATURES  TURNED SURFACES: $\sqrt{63}$ MILLED SURFACES: $\sqrt{125}$  <b>PROPRIETARY AND CONFIDENTIAL</b> THE INFORMATION CONTAINED IN THIS DRAWING IS THE SOLE PROPERTY OF BELDEN INCORPORATED. ANY REPRODUCTION IN PART OR AS A WHOLE WITHOUT THE WRITTEN PERMISSION OF BELDEN INCORPORATED IS PROHIBITED.	STANDARD TOLERANCES, UNLESS OTHERWISE SPECIFIED  DIMENSIONS ARE IN INCHES [mm] ANGULAR MACHINED: $\pm 1.0^\circ$ FRACTIONAL: $\pm .015$ TWO PLACE DECIMAL: $\pm .010$ THREE PLACE DECIMAL: $\pm .005$ FOUR PLACE DECIMAL: $\pm .0005$ CONCENTRICITY: $.0025$ T.I.R.	MATERIAL: STAINLESS STEEL  HEAT TREAT: NONE  FINISH: NONE	NAME: RNK DATE: 06DEC06  CHECKED: RNK DATE: 06DEC06  ENG APPR.: RNK DATE: 06DEC06  MFG APPR.: DATE:  COMMENTS:	Belden Incorporated <a href="http://www.beldenuniversal.com">www.beldenuniversal.com</a>  TITLE: <b>ASSEMBLY, UNIVERSAL JOINT</b>
	ALL HOLES TO BE LOCATED ON CENTERLINE (C) WITHIN .005" T.I.R. INTERPRET GEOMETRIC TOLERANCES I.A.W. ANSI Y14.5M-1982	SIZE: <b>C</b> DWG. NO.: UJ-SS750-316 SCALE: 5:2	WT (Lbs): 0.341 SHEET 1 OF 2	REV: <b>B</b>